

# Pentagramma hanging

2

Pitsou Kedem

2023

Pentagramma is the new living system designed by Pitsou Kedem for MDF Italia, a design with a strong personality that interprets the concept of the day system with sophistication by focusing on the value of lightness. Surprisingly simple to compose and install, the design develops from an extruded aluminium panel fixed to the wall, on which various elements, containers or shelves are hung. Its name was inspired by its construction: the wall-mounted back panel to which the accessories are hung to create the composition looks like a music stave or pentagramma in Italian, on which the notes are written to compose a tune. Extremely flexible and versatile, this system offers the possibility of reconfiguring the layout over time. Just a few elements are enough to obtain infinite combinations that fulfil different functions and situations of use, fitting seamlessly and with versatility into all residential and contract environments: in fact, it offers a valid storage solution for walls in the living area and office, but also for creating compositions in the sleeping area.

## Backrest

The wall-mounted panel, the load-bearing structure of the whole system, is made of 20 mm thick extruded aluminium and available in various lengths (L152, L202 and L252 cm). The panels can be fixed to the wall using the aluminium bar provided, onto which the hidden panel brackets are hung. It can all be adjusted in three directions: horizontally, vertically and also frontally (sloping away from the wall). The panels are completely covered in veneered wood, available in two finishes: bleached oak and Canaletto walnut. Horizontal wood grain.

The panels can be placed side by side horizontally. Whereas vertically there must always be a 5-cm gap between one panel and another to allow for attachment of the shelf or open unit modules.

## Shelves

The shelves are made from a single piece of 8 mm thick extruded aluminium.

A really simple intuitive system uses the cross-section of the shelves themselves to hang them on the wall-mounted panels so that the various modules can be arranged and positioned as required. An anchoring system is provided for safety.

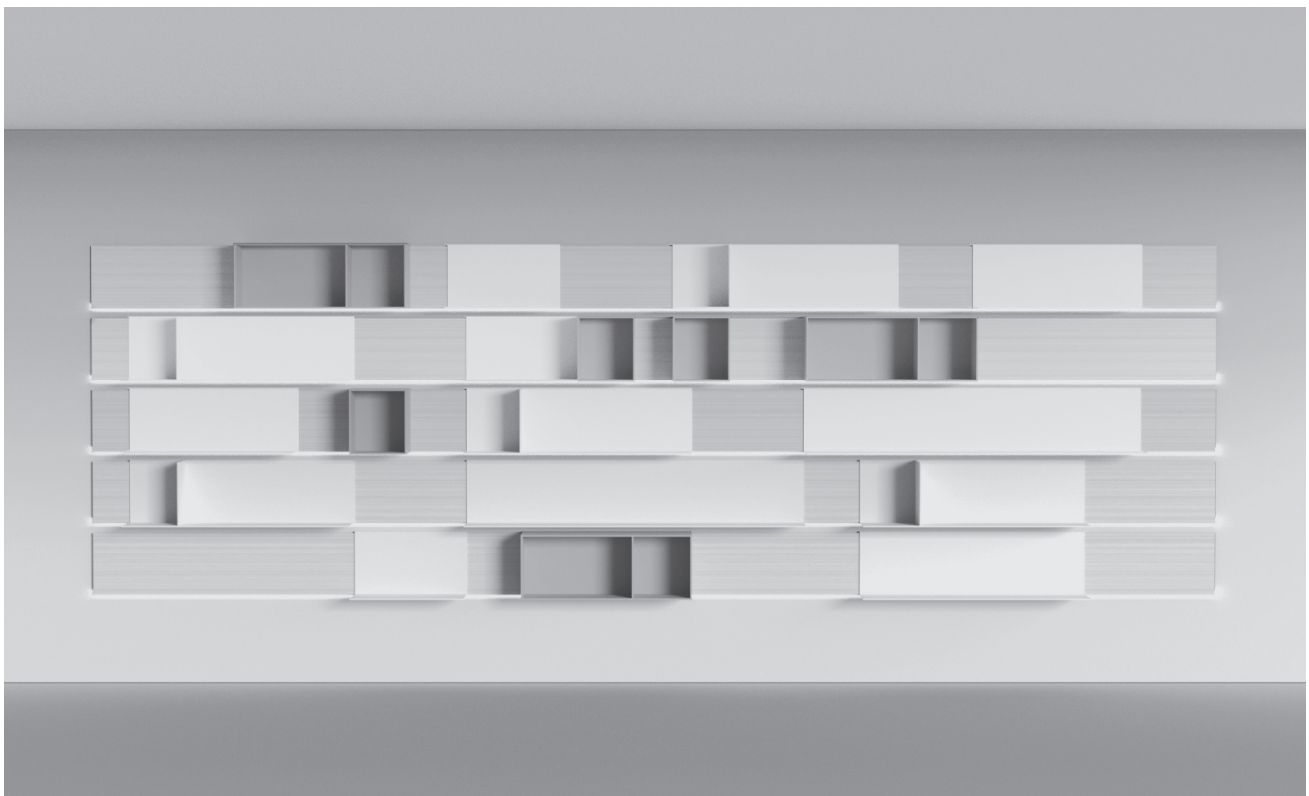
The various modules are available in a liquid paint finish in matt colours: white, lead black and shadow grey.

The shelves are available in only one height but in various lengths (L60, L90 and 1L20 cm). The system is rounded out by a divider (left or right), designed to add movement to possible configurations.

## Open storage units

The open units are available in only one height but in various lengths (L30, L60 and L90 cm).

The L90 modules have an internal divider (right or left) that separate the space creating a partition, like the musical notes on a stave. The materials used are extruded aluminium for the back of the units, while the rest of the structure is made of panels in medium density wood fibre, laminated with aluminium to increase the resistance and sturdiness of the unit. All the open units are liquid painted in matt colours: white, lead black, shadow grey, burgundy red, English green, dune and blue to match the rest of the MDF Italia collection.



# Pentagramma hanging

2

## LED lighting

The LED system can be ordered as an accessory to fit to the lower part of the wall-mounted panels. Each panel can be fitted with the LED bars and will be provided with its own junction box and power supply unit.

Colour temperature 2700° K. Can be switched on/off using a remote control or dedicated app.

## Accessories

- Remote control for LED complete composition.
- External finishing caps (pair). Three colors: lead gray, shadow gray, white.



### PLEASE NOTE

A REMOTE CONTROL REGULATES THE LIGHTING OF THE WHOLE COMPOSITION.

FINISHING CAPS ARE TO BE ORDERED SEPARATELY AND ARE TO BE APPLIED IN THE END PARTS OF THE PREFIGURED COMPOSITIONS.

THE PANELS CANNOT BE COMBINED VERTICALLY. LEAVE A DISTANCE BETWEEN THEM OF AT LEAST 5 CM TO ALLOW THE HOOKING OF THE SHELF MODULES OR OPEN COMPARTMENTS.

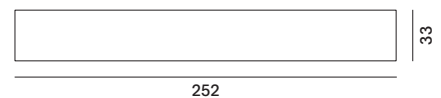
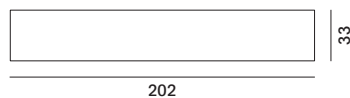
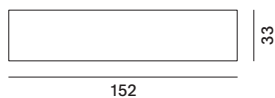
Finishes	Back panel
F040	bleached oak X075
F135	canaletto walnut X159

Finishes	Shelves
F008	matt painted white X053 RAL 9016
F190	matt painted lead black X138
F126	matt painted shadow grey X122

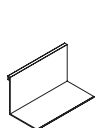
Finishes	Open unit
F008	matt painted white X053 RAL 9016
F190	matt painted lead black X138
F126	matt painted shadow grey X122
F191	matt painted burgundy
F192	matt painted English green
F193	matt painted dune
F178	matt painted navy blue

## Abacus

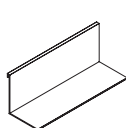
back panel, wall-mounted panel



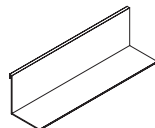
## shelves



L60 D33 H34

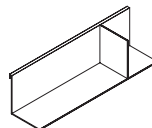


L90 D33 H34

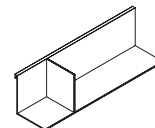


L120 D33 H34

## shelves with right R or left L divider



R - L120 D33 H34



L - L120 D33 H34

## open unit

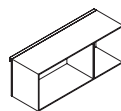


L30 D33 H34

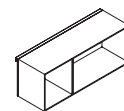


L60 D33 H34

## open unit with right R or left L divider



R - L90 D33 H34



L - L90 D33 H34

# Pentagramma sideboard

2

Pitsou Kedem

2024

The new Pentagramma system, designed by Pitsou Kedem for MDF Italia, is further enriched with the introduction of the sideboard variant. Characterized by a surprising simplicity of composition and installation, this system is based on a basic element with containers, which can be repositioned with extreme ease.

Its extraordinary flexibility and versatility allow the layout to be reconfigured over time, thus offering the possibility to create infinite combinations to adapt to different functions and usage situations. With just a few elements, multiple arrangements can be achieved, making the system suitable for a wide range of residential and commercial environments. Pentagramma proves to be an excellent solution for equipping walls both in the living area and in the office. Moreover, it is capable of creating evocative compositions even in the sleeping area. Its versatility makes it an ideal complement to meet the needs of design and functionality in various contexts, thus representing a valid and elegant choice.

## Base element

All the base elements are made with an "L" structure and composed of medium-density fiberboard panels, 0.8 cm thick, veneered in bleached oak or Canaletto walnut finishes.

The sideboard version includes a base of 5 cm, always in black colour. Adjustable feet +/- 1 cm.

The base element can be integrated with light by ordering the LED kit and the appropriate remote control.

Dimensions: D48, H42,3, W152/W202/W252 cm.

## Open units

The open units are available in one height of H28 cm and two lengths L30 and L60 cm.

The materials used are extruded aluminium for the back of the compartments, while the rest of the structure is built with medium-density fiberboard panels, laminated with aluminium to increase the container's resistance and sturdiness.

All the open modules are liquid painted in matt colours: white, lead black, shadow grey, burgundy, English green, dune, and navy blue in harmony with the entire MDF Italia collection. The units can be freely positioned to allow compositional freedom.

## Units with doors

The units with doors are available in one height of H28 cm and in two lengths L90 and L120 cm.

Made of medium-density fiberboard panels of varying thickness and lacquered in matt colours: white, lead black, shadow grey.

Door with pantograph opening mechanism, which allows for high comfort in the opening movement.

The units can be freely positioned to allow compositional freedom.

## Electrification on request

Upon request, it is possible to configure the sideboard for cable management. Please provide a drawing of the desired position for the customization of the product.

Feasibility, costs and delivery times to be verified with our Sales department.



# Pentagramma sideboard

2

## LED lighting

The LED system for the lower part of the base element can be ordered as an accessory. Each base can be fitted with the LED bars and will be provided with its own junction box and power supply unit.

Colour temperature 2700° K (warm white light). Can be switched on/off using a remote control or dedicated app.

## Accessories

Remote control for LED complete composition.



**PLEASE NOTE**  
ONE REMOTE CONTROL REGULATES THE LIGHTING OF THE WHOLE COMPOSITION.

THE BASE ELEMENTS CAN BE PLACED NEXT TO EACH OTHER AND ALIGNED USING THE ADJUSTABLE FEET +/- 1 CM.

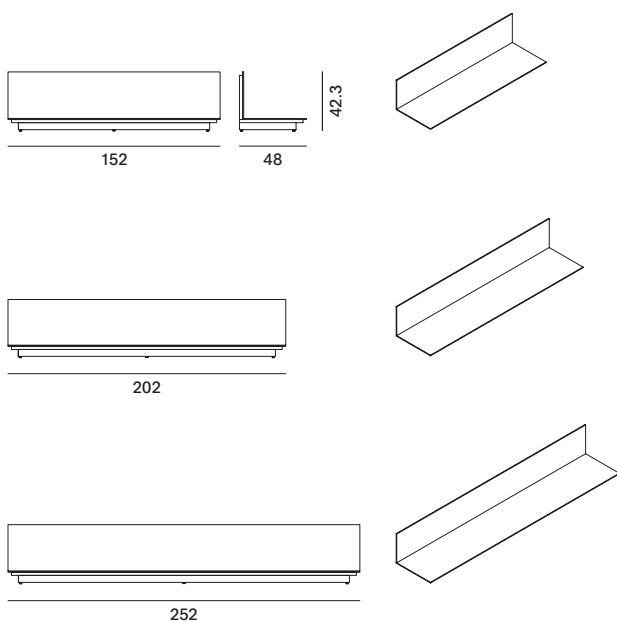
Finishes	Base element
F040	bleached oak X075
F135	canaletto walnut X159

Finishes	Units with doors
F008	matt lacquered white X042
F190	matt lacquered lead black
F122	matt lacquered shadow grey

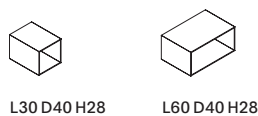
Finishes	Open units
F008	matt painted white X053 RAL 9016
F190	matt painted lead black X138
F126	matt painted shadow grey X122
F191	matt painted burgundy
F192	matt painted English green
F193	matt painted dune
F178	matt painted navy blue

## Abacus

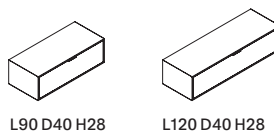
### Base elements



### Open units for base element



### Units with doors for base element

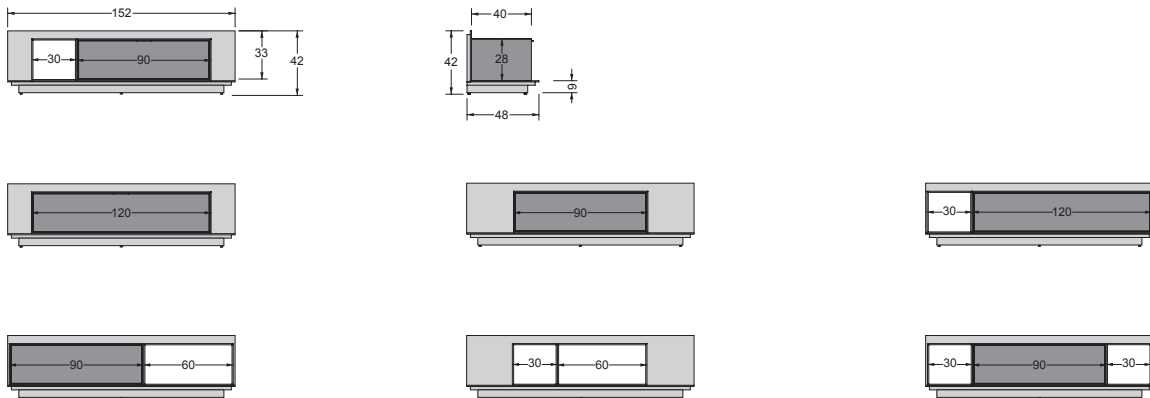


# Pentagramma sideboard

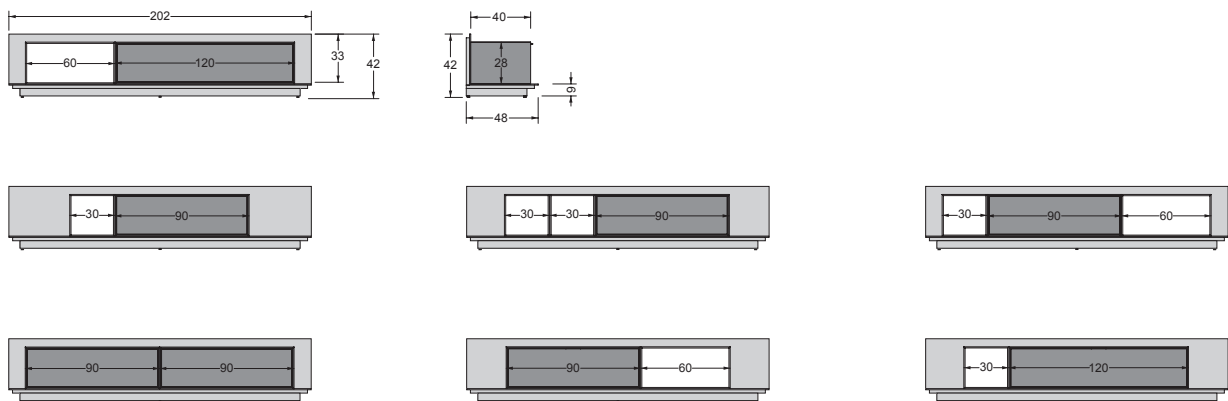
2

## Sideboard | Examples of composition

### Base element L152 D48 H42 with units



### Base element L202 D48 H42 with units



### Base element L252 D48 H42 with units

