

# mdf italia



© COPYRIGHT 2024 MDF ITALIA SRL SOCIETA' UNIPERSONALE

2017

## AXY

Designed by Claudio Bellini

Lightness and dynamism: these two values underline the Axy table system by Claudio Bellini. A suggestive blend of different materials: the aluminium supporting frame is paired with a thin ceramic top in the finishes Pietra di Savoia, Black Calce and light Grey Calce.

The focal point of the design is the table frame, which presents itself as an essential architecture, giving the table a feeling of lightness.

Available in many sizes, it naturally adapts to different interpretations in the outdoor environment.

## FRAME

Fixed bearing frame made of extruded aluminium painted in matt graphite grey.

For all types of die-cast and extruded aluminium bridge legs, available in the version painted in white, matt graphite grey, bronze and matt black nickel.

## TOPS

The outdoor tops are available in ceramic, in three different variants. Thickness 12 mm.

## INDOOR USE

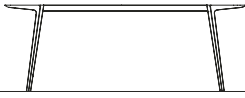
Available tops designed for indoor use only in: Fenix and wood.

**Abacus**

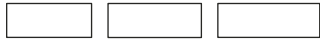
Axy

---

H73

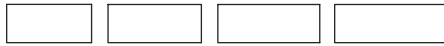


**D80**



200      220      240

**D90**



200      220      240      260

---

Axy Comfort

---

H73

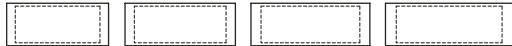


**D90**



240      260      280

**D100**



240      260      280      300

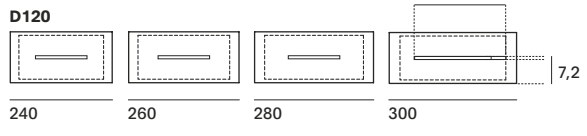
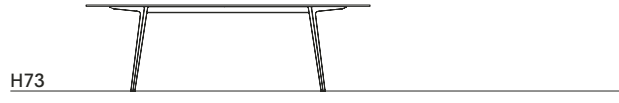
**D120**



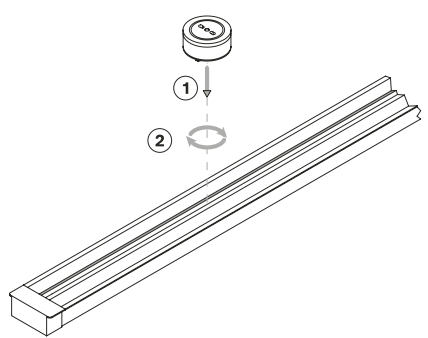
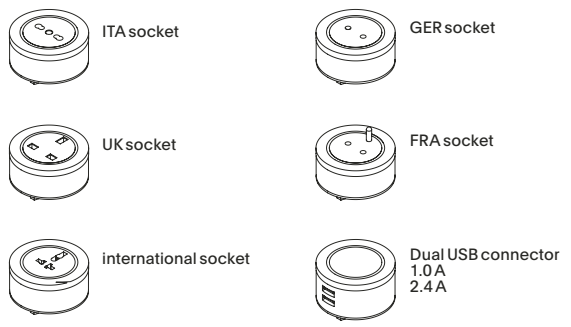
240      260      280      300

Axy Comfort electrified

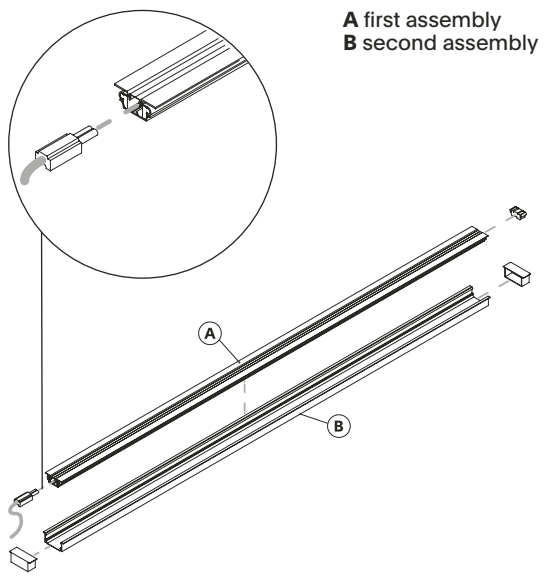
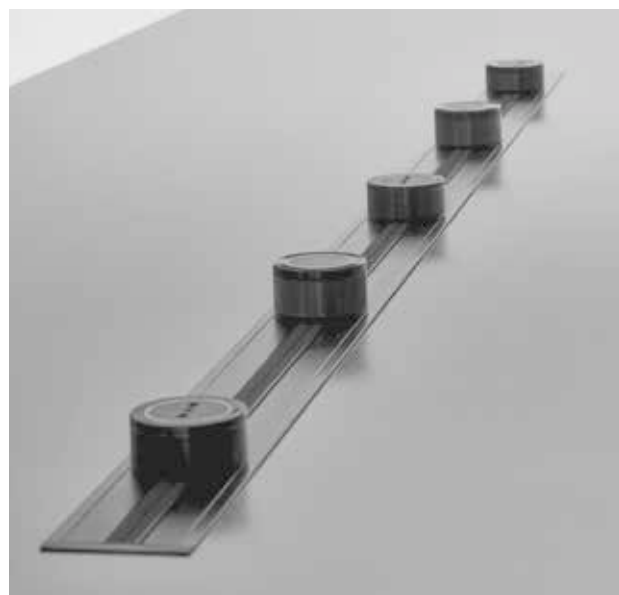
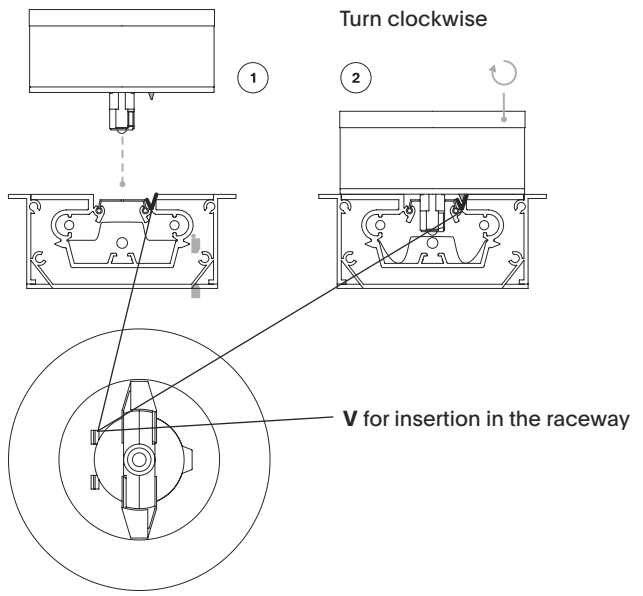
Length of the electrified profile (X)  
 in relation to the size of the top:  
 L240, L260, L280 = L 120 cm  
 L300, L340 = L 180 cm  
 \ \



Sockets



Raceways assembly details with electrified profile



# Finishing

The number in the dot corresponds to the number of colour/material finish.

Here below, in the section FINISH OPTIONS, please note all the colours of the materials used for this product.

## TABLE

---

### Top



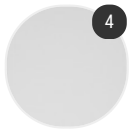
Calce



Stone

---

### Structure



Matt painted

# Finish options

## TOP

---

### Calce



Light grey  
calce



Black calce

### Stone

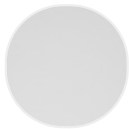


Medium grey  
pietra di  
Savoia

## STRUCTURE

---

### Matt painted



Matt painted  
white X053



Matt painted  
graphite grey  
X054



matt bronze  
paint X100



matt black  
nickel paint  
X101