

mdf italia



© COPYRIGHT 2024 MDF ITALIA SRL SOCIETA' UNIPERSONALE

2017

AXY

Designed by Claudio Bellini

Lightness combined with dynamic perception of suspension is the theme developed by the design of the new table system Axy. A basic architecture in which the original design of the two structural bridges, entirely made of aluminium, recomposes the tensions and strength lines with expressive efficacy.

A thin top completes the table, conveying an overall aerial impression underpinned by reassuring stability.

Available in various configurations, with a wide choice of materials and finishes Axy naturally adapts to a broad range of interpretations both for indoor and outdoor use, from the dining-table to the working desk.

Rectangular tables available in 15 sizes and various depths, height 73 cm, in the types and configurations: Axy and Axy Comfort.

FRAME

Fixed bearing frame made of extruded aluminium painted in matt graphite grey.

For all types of die-cast and extruded aluminium bridge legs, available in the version painted in white, matt graphite grey, bronze and matt black nickel.

TOPS

Tops are available in the materials: Fenix, oak and ceramic. Thickness 12 mm.

ACCESSORIES

The tables, in the version Axy Comfort D120 L240/260/280/300 with tops in Fenix and Wood, are available in the version with electrified profile.

A series of adaptors with different types of sockets and functions can be hooked to the electrified profile. The electrified profile and its components and adaptors are always available in the finish matt black.

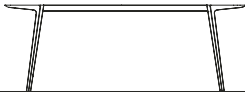
OUTDOOR USE

The table with ceramic tops are also suitable for outdoor use.

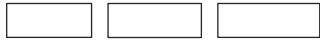
Abacus

Axy

H73

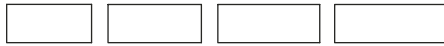


D80



200 220 240

D90



200 220 240 260

Axy Comfort

H73

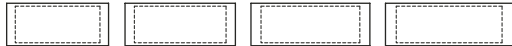


D90



240 260 280

D100



240 260 280 300

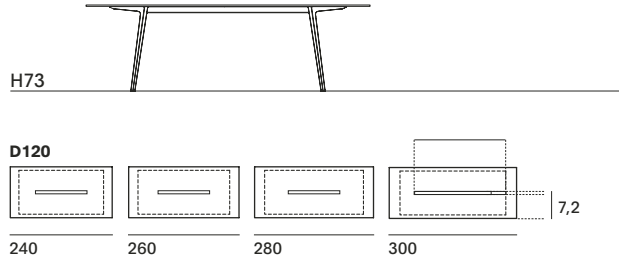
D120



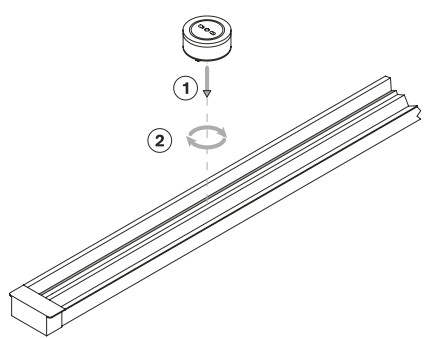
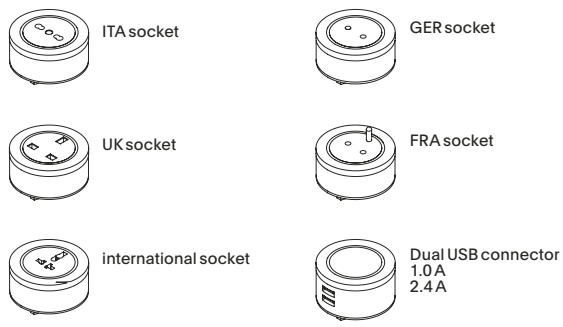
240 260 280 300

Axy Comfort electrified

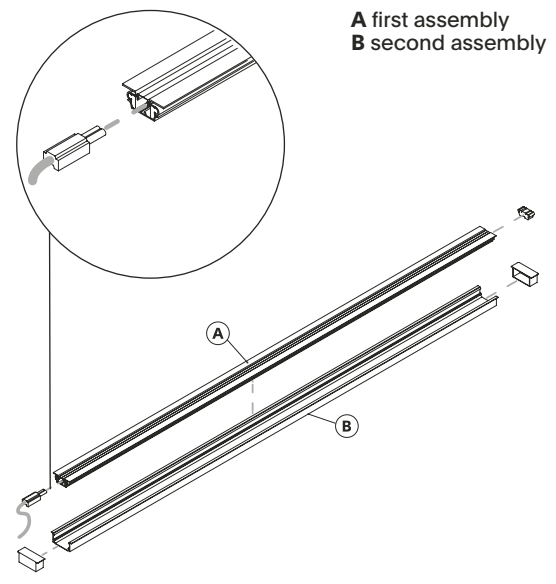
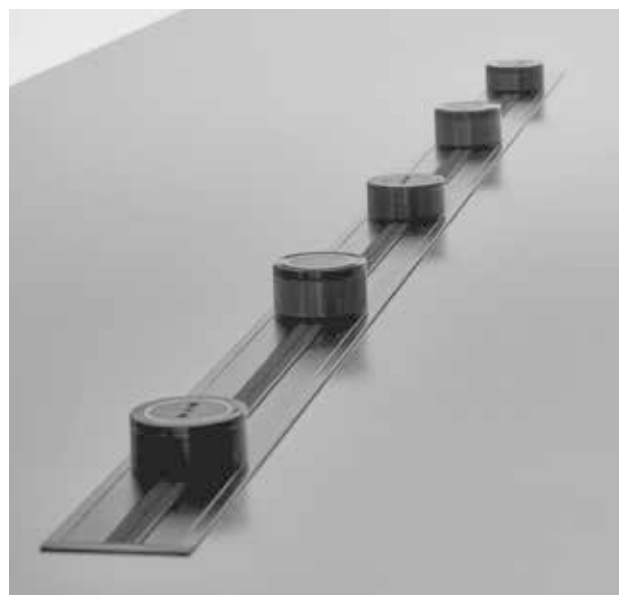
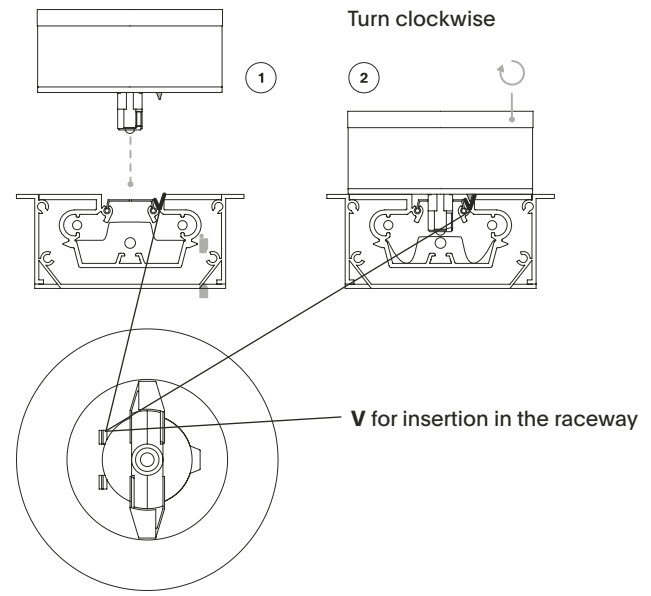
Length of the electrified profile (X)
 in relation to the size of the top:
 L240, L260, L280 = L 120 cm
 L300, L340 = L 180 cm
 \ \



Sockets



Raceways assembly details with electrified profile



Finishing

The number in the dot corresponds to the number of colour/material finish.

Here below, in the section FINISH OPTIONS, please note all the colours of the materials used for this product.

TABLE

Top



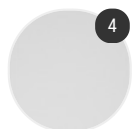
Fenix

Oak

Calce

Stone

Structure



Matt painted

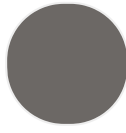
Finish options

TOP

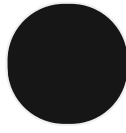
Fenix



Fenix matt
white X020



Fenix matt
medium grey
X021



Fenix matt
black X022

Oak



Light oak
X095



Mocha oak
X096



Anthracite
oak X097

Calce



Light grey
calce



Black calce

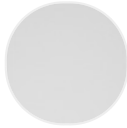
Stone



Medium grey
pietra di
Savoia

STRUCTURE

Matt painted



Matt painted
white X053



Matt painted
graphite grey
X054



matt bronze
paint X100



matt black
nickel paint
X101