

Rock Table

Designer	Jean Marie Massaud
Year	2014-2023



The iconic Rock Table, with its fluid and elegant silhouette, appears to levitate above the solid concrete base. A fusion of natural and industrial materials gives rise to a product with a bold, refined, and radical character. The design, rooted in the simplification of forms, is combined with innovative production techniques, making the Rock Table perfect not only for living spaces and contemporary interiors but also for the hospitality sector, in particular restaurants, bars and hotels.

Thanks to its wide range of finishes, including wood, lacquer, concrete, and stone chip cement, Rock Table seamlessly fits into a variety of settings, from classic to contemporary. Its dimensions include various diameters and heights, such as the 110 cm tall version, as well as the square 80x80 top. The oval version, supported by two solid concrete bases, offers lengths of 2.5 and 3 metres, accommodating up to 12 people, making it ideal for convivial moments both indoors and outdoors.

Lacquered top

Matt lacquered medium-density fibreboard panel, machined on the edge. Thickness 25 mm.

Stone chip cement top

In UHPFRC cement (ultra-high performance, fibre reinforced cement), with high technical / structural characteristics, coloured in mass using natural oxides, enhanced with a stone chip surface made up of Alpine rocks and stones (white and green stone chip top), or stone chip made up of stones from Tuscany (terracotta top). Thickness 11 mm.

Glass top

Smoked tempered glass, 12 mm thick.

Glass top available only for tables with a Ø120 and Ø140 cm top.

Notes

Monochrome combinations:

- White version: base in natural cement, matt white tube and flange, top in lacquered white, white cement, bleached oak wood or white stone chip cement.
- Anthracite version: base in anthracite cement, matt graphite tube and flange, top in lacquered graphite grey, brown oak wood, Canaletto walnut wood, anthracite cement, or smoked glass top.
- Orange version: base in terracotta cement, matt orange tube and flange, terracotta stone chip cement top.
- Green version: base in green cement, matt green tube and flange, green stone chip cement top.

Oval tables in L250 and L300 cm available only with cement and stone chip cement tops.

Cement top

In white or anthracite UHPFRC cement (ultra-high performance, fibre reinforced cement), with high technical / structural characteristics. Thickness 11 mm.

Wood top

Panel in veneered medium density wood fibre, 25 mm thick. The edge of the top and underside are lacquered matt white or matt graphite grey, depending on the finish.

Base

The bases are made of UHPFRC (ultra-high performance fibre-reinforced cement) with cutting-edge technical/structural properties. The finish and colour of the bases are achieved through in-mass pigmentation using a mixture of sand and natural elements, followed by slow maturation and drying of the piece.

The joining tube and the flange under the tabletop are made of aluminium and are matt powder-coated.

Rock Table finishes

Top

Lacquered

Matt lacquered white X042
Matt lacquered graphite grey X082

Stone chip cement

White stone chip cement X180
Green stone chip cement X178
Terracotta stone chip cement X179

Glass

Smoked grey tempered glass

Base

Natural cement X080
Anthracite cement X081
Green cement X181
Terracotta cement X182

Cement

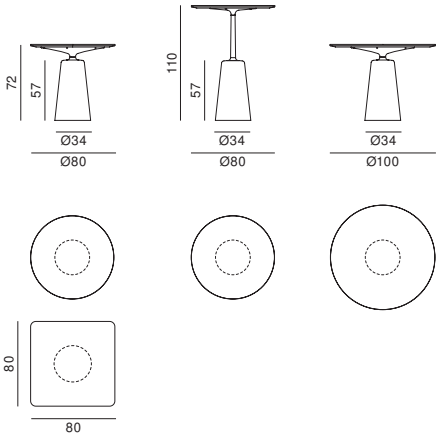
Anthracite cement X192
White cement X193

Wooden

Bleached oak X075
Brown oak X076
Canaletto walnut X159

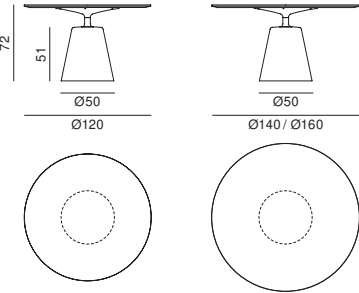
Rock Table dimensions

Round tables with narrow base

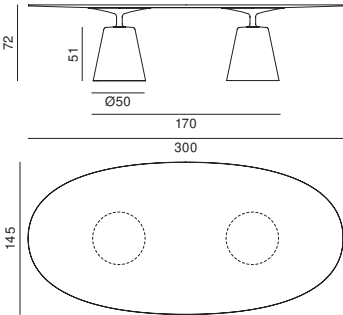
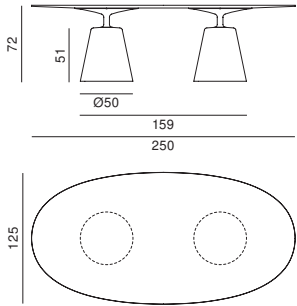


Round tables with wide base

Tables with glass top are H71.5



Oval tables with double base



The height of H72 has a dimensional tolerance of ± cm. Variations are to be considered, especially for tables with cement tops.