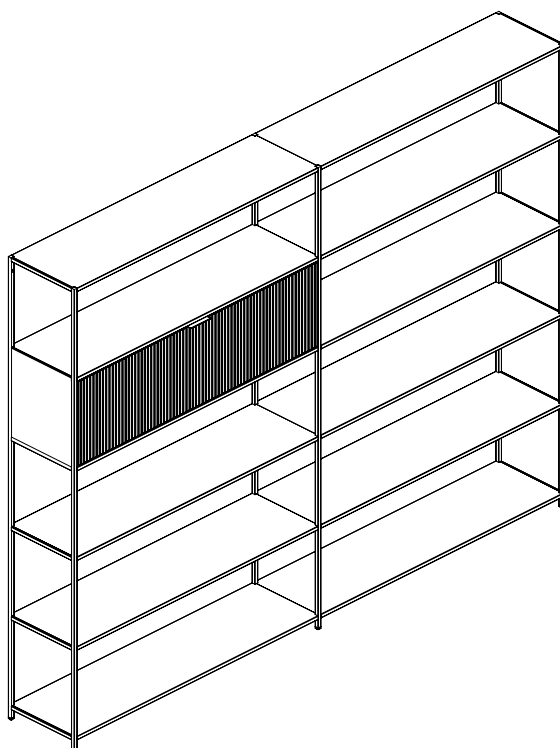


## Istruzioni di montaggio Assembly Instructions Montageanleitungen Instructions de montage Instrucciones de montaje

11.2024

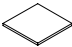



---

# Minima 3.0

---

Kit ferramenta  
Hardware kit  
Hardware-kit  
Kit de matériel  
Kit de hardware

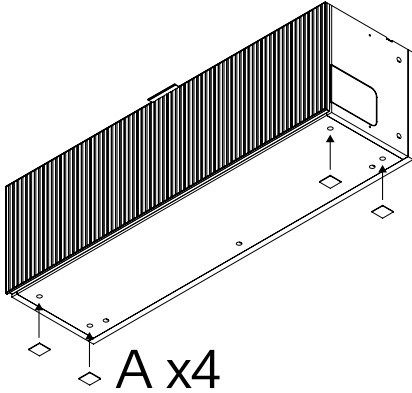
A   
4× rubber pads

B   
4× M4×20

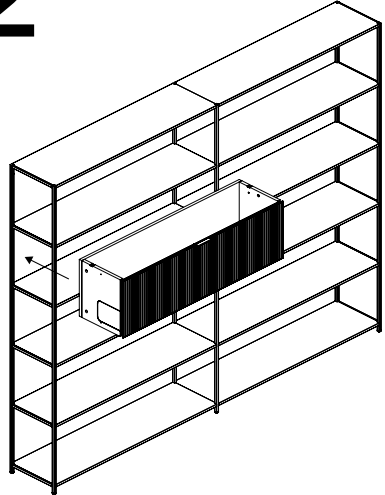
C   
6× adhesive cover caps

# Minima 3.0 cabinets Extra

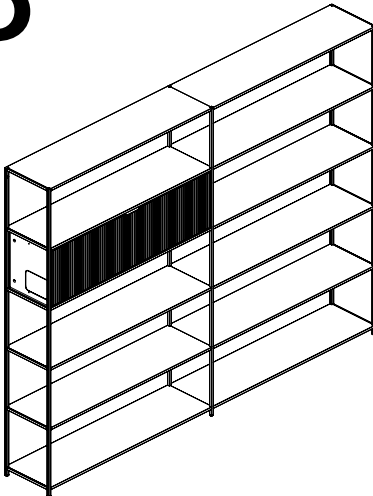
1



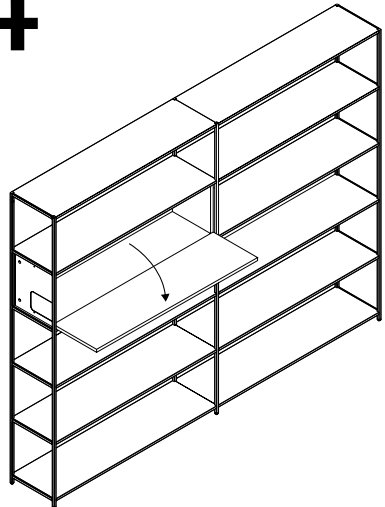
2



3

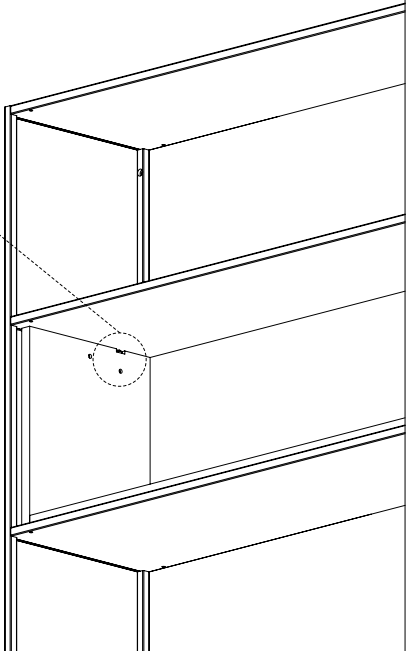
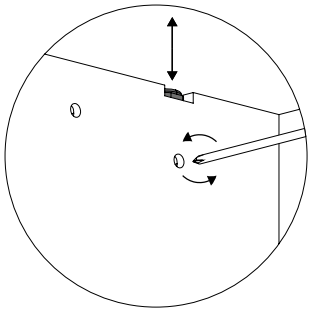
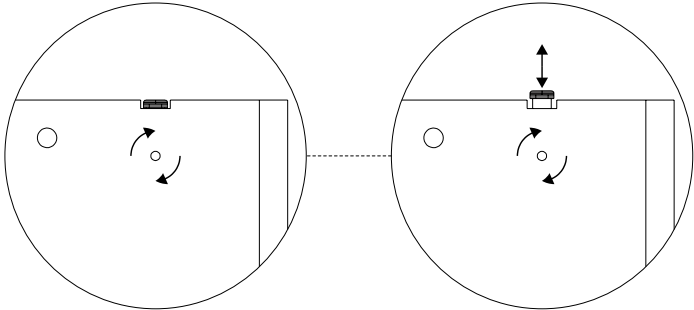


4



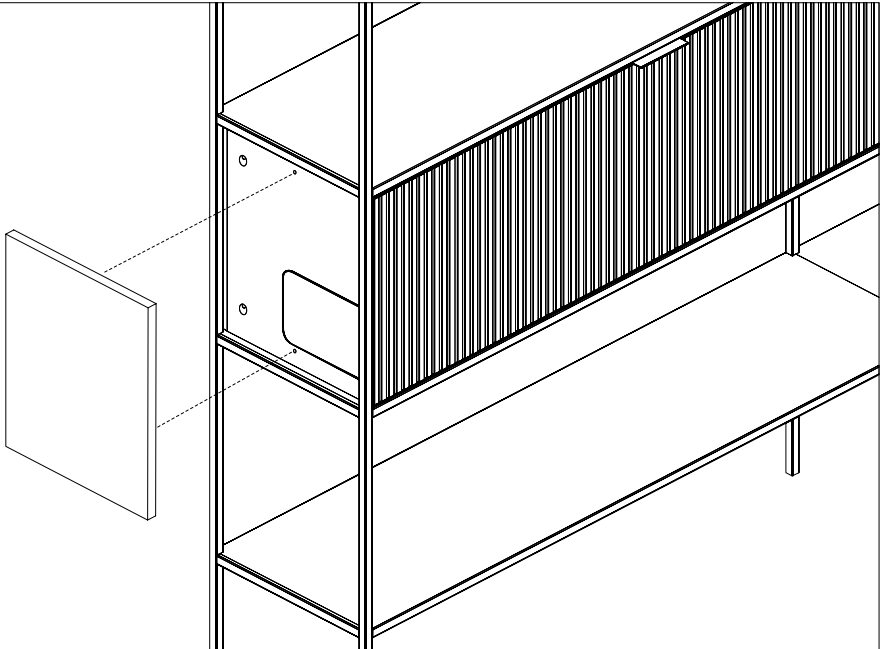
# Minima 3.0 cabinets Extra

# 5

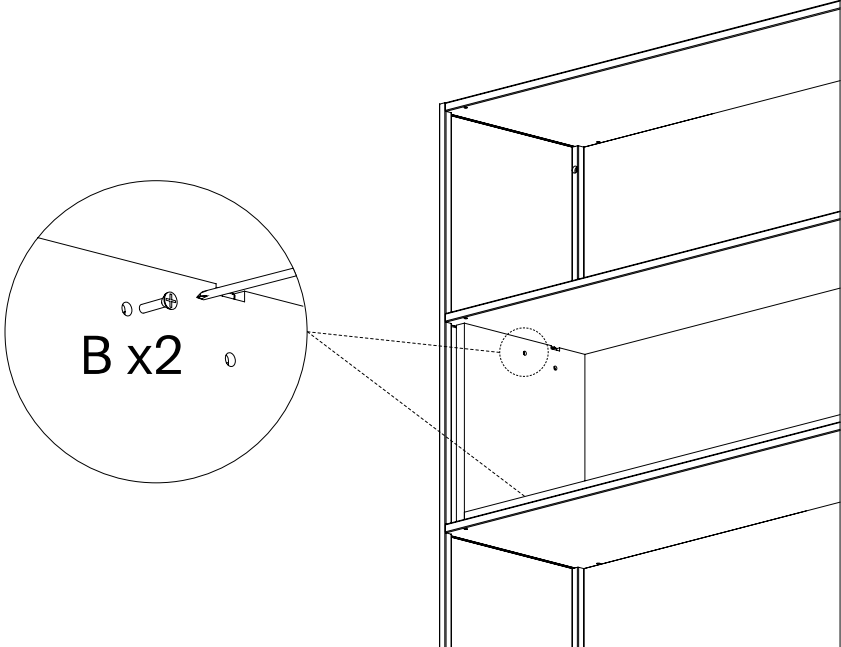


# Minima 3.0 cabinets Extra

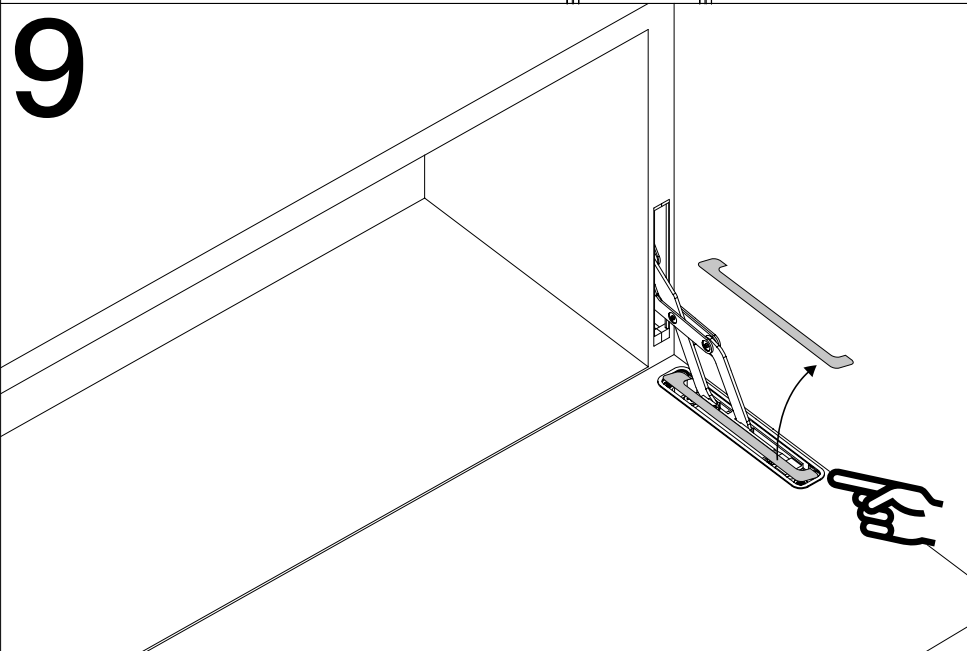
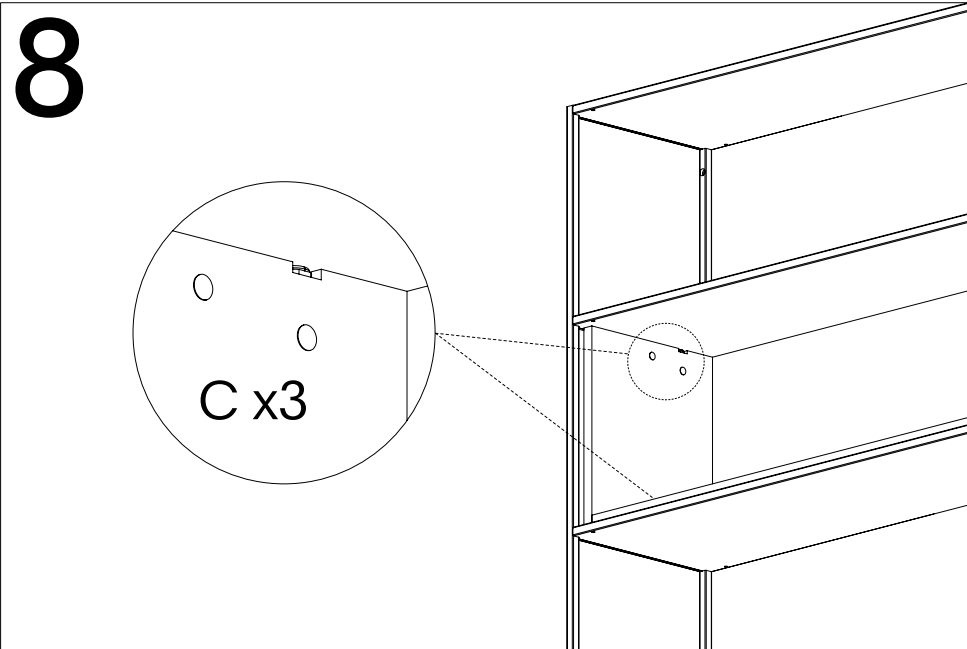
6



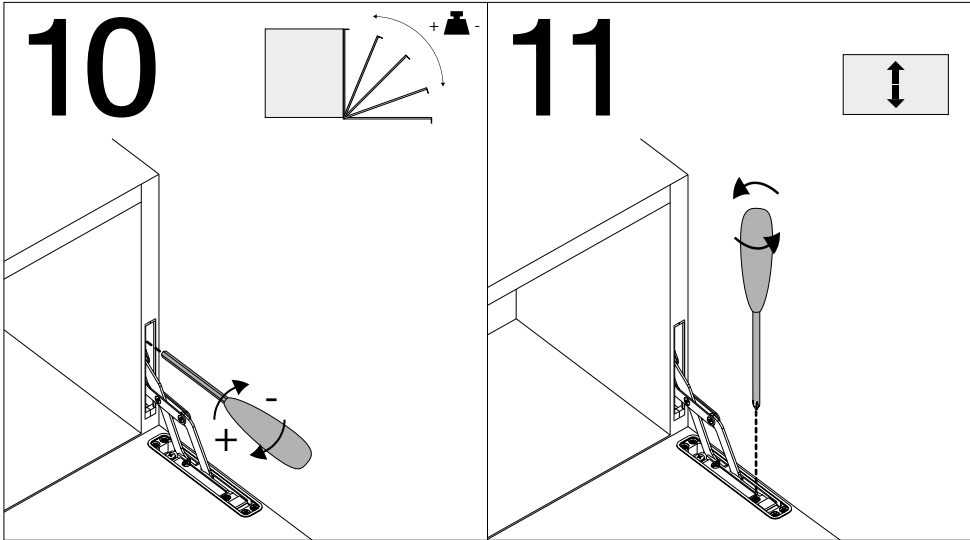
7



# Minima 3.0 cabinets Extra

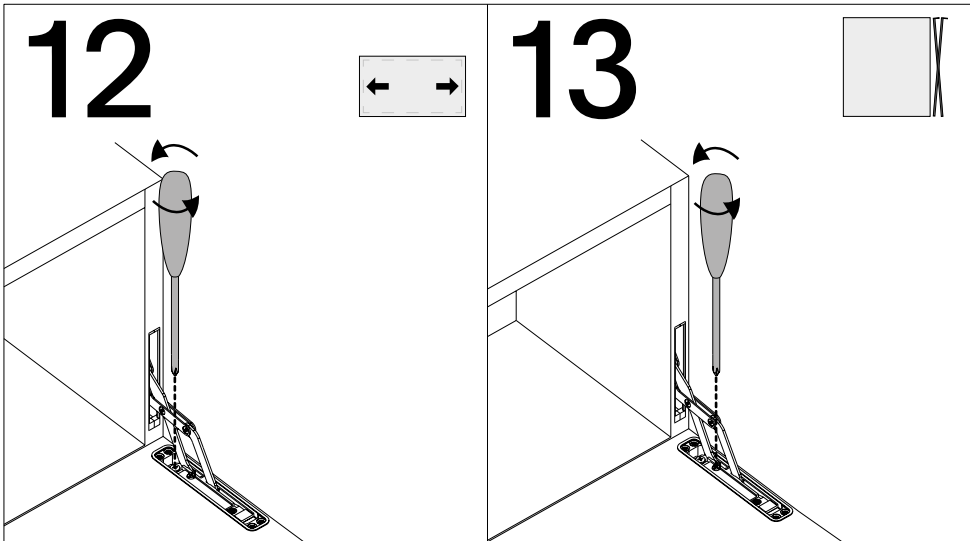


# Door adjustment



Spring strength adjustment.

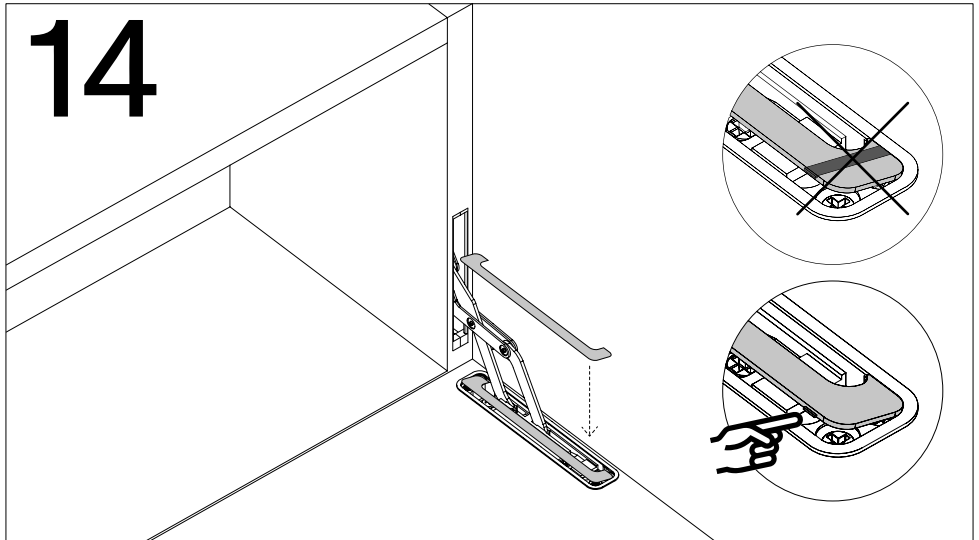
Door height adjustment  $\pm 2$  mm.



Lateral movement adjustment of the door  $\pm 1.2$  mm.

Door tilt adjustment  $+3^\circ$ .

# Minima 3.0 cabinets Extra



Once the adjustment is complete, close the cover paying attention to the position of the tab.